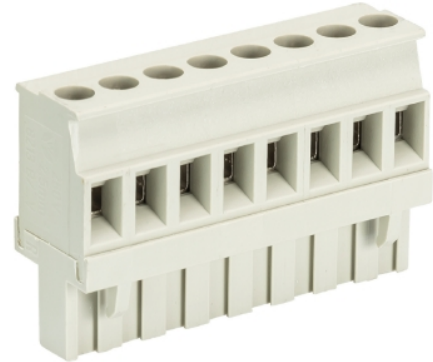


Data sheet

Commercial Art.No.: 25.345.4253.0

PCB connector 8213 B / 12 VR OB

PCB female connector with screw connection with rising cage clamp system, 12 poles, max. cross section: 2.5 mm², pitch: 5.08 mm, type of packing: carton, color: grey



Certificates / Approvals



Technical data

General

| | |
|------------------------------------|------------------|
| Modular spacing | 5.08 mm |
| Connection type | Screw connection |
| Soldering process | None |
| Packaging | Carton |
| Number of poles | 12 |
| Marking | No |
| Fastening | None |
| Mating direction towards connector | 90° |

Technical data

| | |
|--------------------------|---------------------|
| Nominal cross section | 2.5 mm ² |
| Rated current | 12 A |
| Overvoltage Category I | 1000 V |
| Overvoltage Category II | 400 V |
| Overvoltage Category III | 250 V |
| Rated impulse voltage | 4 kV |
| Wire strip length | 6 mm |

Connection Data

| | |
|-------------------------------------|----------------------|
| Minimum cross section solid | 0.14 mm ² |
| Maximum cross section solid | 2.5 mm ² |
| Minimum cross section fine stranded | 0.14 mm ² |
| Maximum cross section fine stranded | 2.5 mm ² |
| Wire strip length | 6 mm |

Technical Data UL/CSA

| | |
|------------------|-----------|
| Cross section UL | 22-12 AWG |
| Voltage UL | 300 V |

| | |
|------------------------|-----------|
| Current field wiring | 15 A |
| Current factory wiring | 15 A |
| Cross section CSA | 22-12 AWG |
| Voltage CSA | 300 V |
| Current CSA | 15 A |

Other

| | |
|-----------------------------|---------------|
| Type of insulation material | Thermoplastic |
| Color | Grey |
| Height | 26 mm |
| Length | 60.96 mm |
| Depth | 12.6 mm |
| Material attachment screw | CuSn/Steel |
| Material contact base | CuSn |
| Material contact surface | Sn |

Classification

| | |
|------------|----------|
| ECLASS 11 | |
| ECLASS 8.1 | 27440402 |
| ETIM 7.0 | EC002637 |
| ETIM 6.0 | EC002637 |
| ETIM 5.0 | EC002637 |
| ETIM 4.0 | EC002637 |

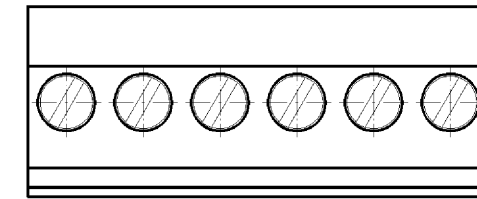
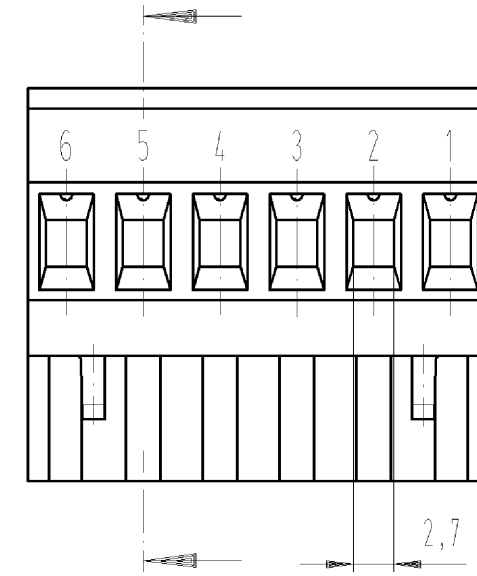
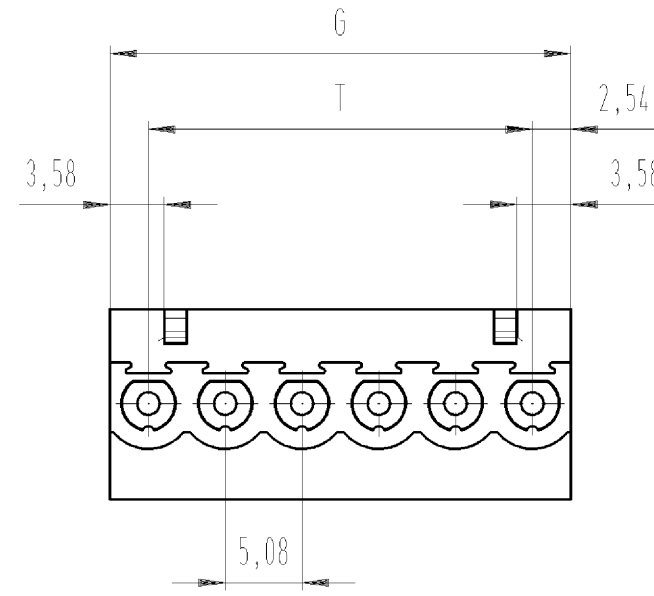
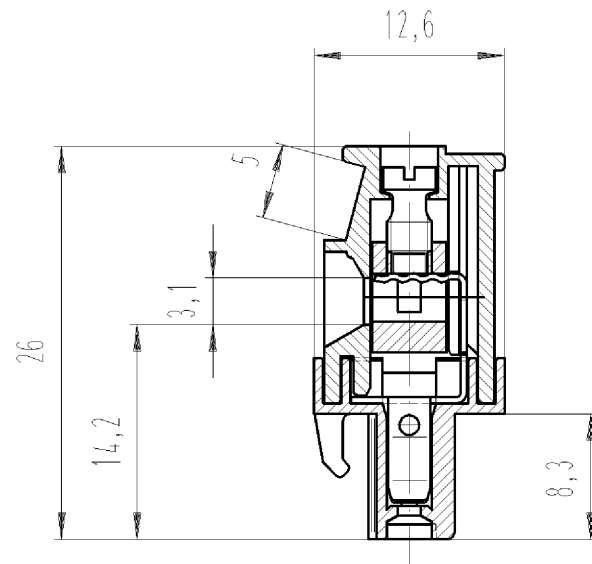
Product compliance

| | |
|------------------------------|--------------------|
| ROHS conformity status | Compliant/Exempted |
| ROHS exceptions | III-6(c) |
| REACH-SVHC conformity status | Duty-To-Declare |
| REACH-SVHC substances | Lead |
| REACH-SVHC CAS numbers | 7439-92-1 |

These dimensions will be especially checked at delivery
Only inspection dimensions
With /E marked dimensions are only valid for internal use

Diese Maße werden bei Abnahme besonders geprüft
Ausschließlich Prüfmaße
Mit /E gekennzeichnete Maße sind nur für interne Zwecke gültig

Gezeichnet:
drawn
25.345.0653.F



| .F | Farbe colour | Bedruckung print |
|----|------------------|---------------------|
| .0 | grau grey | schwarz black |
| .1 | schwarz black | weiß white |

Weitere Daten siehe Katalog
further data see catalog

| Teile-Nummer part number | Pol pole | G | T | Typ type | Teile-Nummer part number | Pol pole | G | T | Typ type |
|-----------------------------|-------------|-------|-------|--------------|-----------------------------|-------------|--------|--------|--------------|
| | | | | | 25.345.1353.F | 13 | 66.04 | 60.96 | 8213 B/13 VR |
| 25.345.0253.F | 2 | 10.16 | 5.08 | 8213 B/ 2 VR | 25.345.1453.F | 14 | 71.12 | 66.04 | 8213 B/14 VR |
| 25.345.0353.F | 3 | 15.24 | 10.16 | 8213 B/ 3 VR | 25.345.1553.F | 15 | 76.20 | 71.12 | 8213 B/15 VR |
| 25.345.0453.F | 4 | 20.32 | 15.24 | 8213 B/ 4 VR | 25.345.1653.F | 16 | 81.28 | 76.20 | 8213 B/16 VR |
| 25.345.0553.F | 5 | 25.40 | 20.32 | 8213 B/ 5 VR | 25.345.1753.F | 17 | 86.36 | 81.28 | 8213 B/17 VR |
| 25.345.0653.F | 6 | 30.48 | 25.40 | 8213 B/ 6 VR | 25.345.1853.F | 18 | 91.44 | 86.36 | 8213 B/18 VR |
| 25.345.0753.F | 7 | 35.56 | 30.48 | 8213 B/ 7 VR | 25.345.1953.F | 19 | 96.52 | 91.44 | 8213 B/19 VR |
| 25.345.0853.F | 8 | 40.64 | 35.56 | 8213 B/ 8 VR | 25.345.2053.F | 20 | 101.60 | 96.52 | 8213 B/20 VR |
| 25.345.0953.F | 9 | 45.72 | 40.64 | 8213 B/ 9 VR | 25.345.2153.F | 21 | 106.68 | 101.60 | 8213 B/21 VR |
| 25.345.1053.F | 10 | 50.80 | 45.72 | 8213 B/10 VR | 25.345.2253.F | 22 | 111.76 | 106.68 | 8213 B/22 VR |
| 25.345.1153.F | 11 | 55.88 | 50.80 | 8213 B/11 VR | 25.345.2353.F | 23 | 116.84 | 111.76 | 8213 B/23 VR |
| 25.345.1253.F | 12 | 60.96 | 55.88 | 8213 B/12 VR | 25.345.2453.F | 24 | 121.92 | 116.84 | 8213 B/24 VR |

| | | | | | | | |
|--|--|---|--|---|--|---|--|
| Tolerierung nach DIN 7167/Tolerance system acc. to DIN 7167. [This DIN-standard describes the envelope principle. According to the envelope principle the deviations of form and parallelism are limited by the size tolerances]. | | | | ja/yes <input checked="" type="checkbox"/> Stoffverbots- und Deklarationsliste nach UU-TQM-05/03 ist einzuhalten. Conformity with Wieland document UU-TQM-05/03 (list of prohibited / declarable hazardous substances) to be declared! | | | |
| Freitoleranz nach General tolerance | | CAD - Zeichnung, keine manuellen Änderungen CAD - drawing, no manual modifications allowed | | 1.Verwendung: First Use: - | | Blatt: 1 von 1 Sheet: of 1 | |
| / | | Werkstoff/Material | | 2007 Tag/Date | | Name | |
| / | | Maßstab/Scale | | gezeichnet drawn | | T Zeichnung Nr./Drawing No. | |
| / | | 2:1 | | 02.04. | | Schmitt J. | |
| / | | Vol. mm³ Ofl./Surf. mm² | | geprüft checked | | Index | |
| / | | Ersatz für/Replacement for: - | | Nicht gepr. Stand. check | | Maße in mm/Dimensions are in mm | |
| / | | wieland | | Type | | Benennung/Title | |
| / | | Elektrische Verbindungen | | Typ | | LP_STECKKLEMME | |
| Index Datum / Blatt Date / Sheet | | Änderung/Revision | | 8213 B/ 2-24 VR | | m.Steck- und Schraubansch.Rastermaß 5,08/Pitch5,08 pluggable PCB terminal rising cage clamp system | |

Weitergabe sowie Vervielfältigung dieses Dokuments, Verwertung und Mitteilung seines Inhalts sind verboten, soweit nicht ausdrücklich gestattet.
The reproduction, distribution and utilization of this document as well as the communication of its contents to others without express authorization is prohibited.

253452453001K_4_CADW1042_Schmitt 2007-04-02T10:37:20 1.000